

BW174

DOUBLE WASTE AND
RECYCLING STATION, 94L



Materials : Composite and structure in steel with outdoor powder coating.

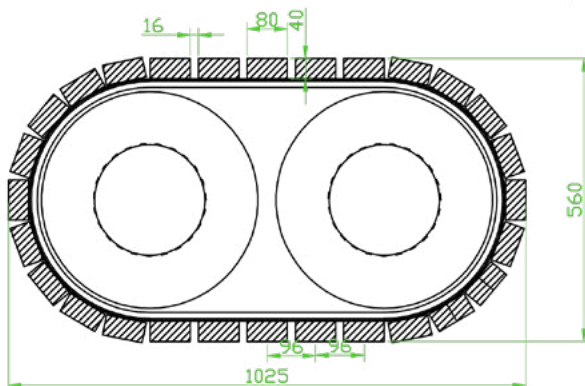
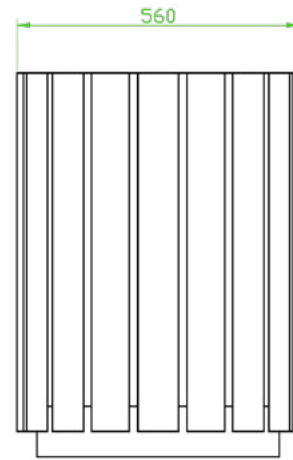
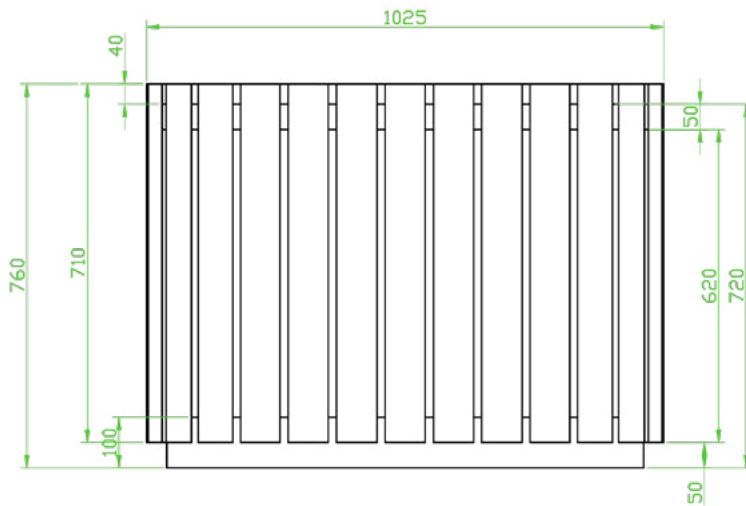
Installation : This double station must be fixed on the ground, properly anchored.

Colors : Choices according to the chart.



Totales dimensions : Height : 40" Width : 30" Depth : 22" Weight : 104 kg

Plan measures in millimeters



Contains up to 94L of waste.

*The Composite surfaces are covered with UV spray coating to prevent discoloration.