

BW42 GARBAGE BIN, 31.7L



Materials : Composite and structure in 201 stainless steel with outdoor powder coating.

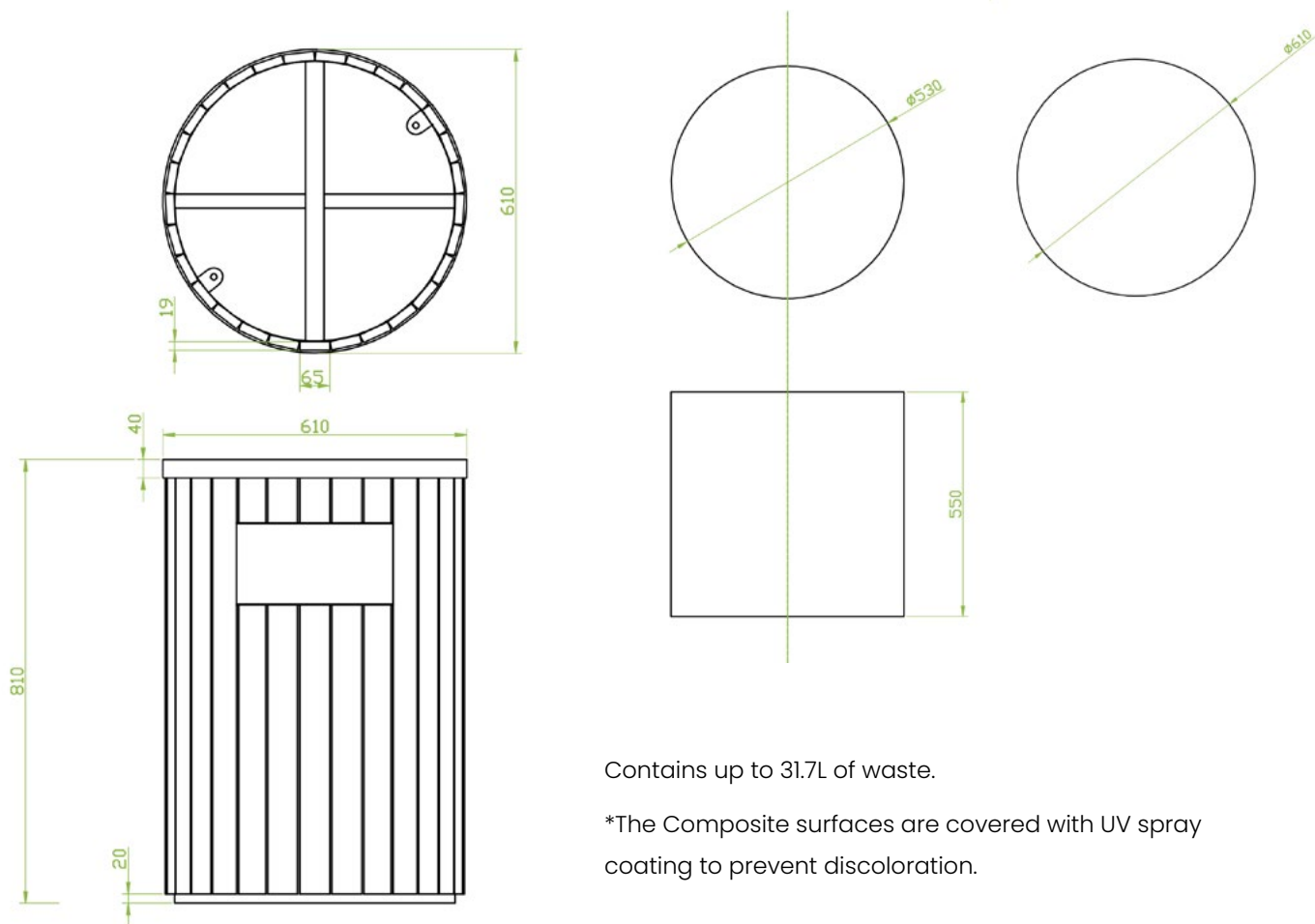
Installation : This garbage bin must be fixed on the ground, properly anchored.

Colors : Choices according to the chart.



Totales dimensions : Height : 30" Width : 16" Depth : 16" Weight : 28 kg

Plan measures in millimeters



Contains up to 31.7L of waste.

*The Composite surfaces are covered with UV spray coating to prevent discoloration.